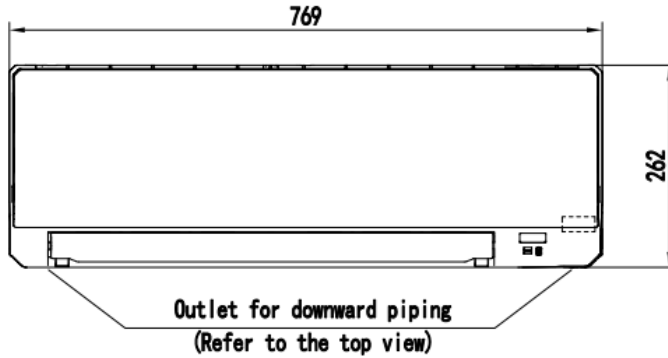
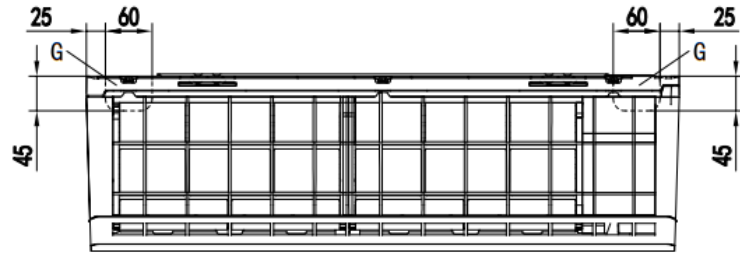
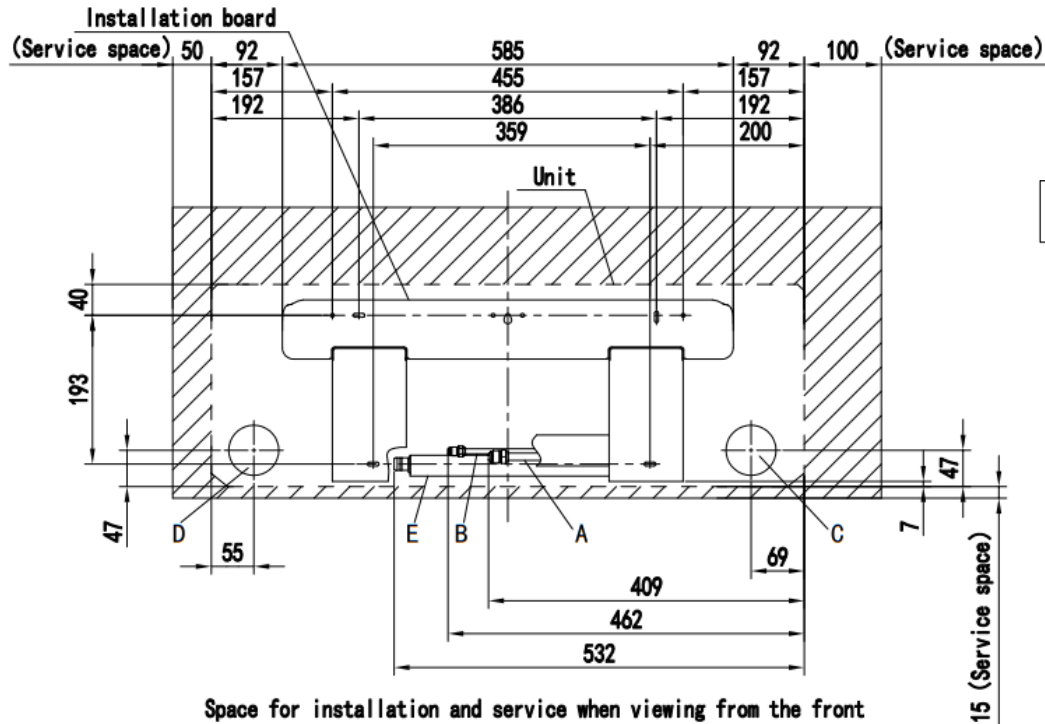
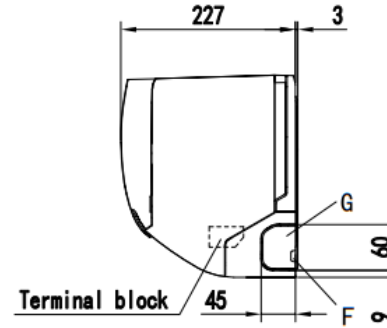


EXTERIOR DIMENSIONS

Indoor units
SRK25/35/50REC1



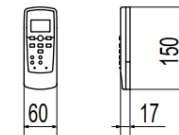
Symbol	Content	
A	Gas piping	SRK 10, 13 $\phi 9.52(3/8")$ (Flare)
		SRK 18 $\phi 12.7(1/2")$ (Flare)
B	Liquid piping	$\phi 6.35(1/4")$ (Flare)
C	Hole on wall for right rear piping	($\phi 65$)
D	Hole on wall for left rear piping	($\phi 65$)
E	Drain hose	VP16
F	Outlet for wiring	
G	Outlet for piping (on both side)	



Space for installation and service when viewing from the front

※	Service space	65
	Recommendation	80

Wireless remote control



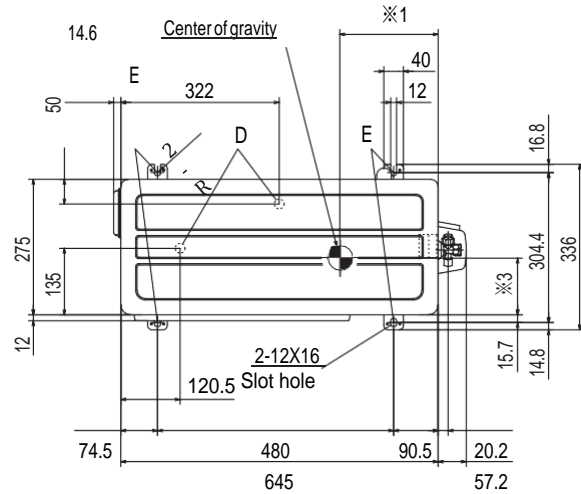
Note (1) The model name label is attached on the underside of the indoor unit.

Unit:mm

Outdoor units

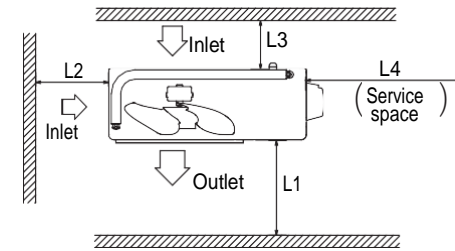
Models SRC25/35REC1

Symbol	Content	
A	Service valve connection (gas side)	φ 9.52 (3/8") (Flare)
B	Service valve connection (liquid side)	φ 6.35 (1/4") (Flare)
C	Pipe/cable draw-out hole	
D	Drain discharge hole	φ 20x2 places
E	Anchor bolt hole	M10-12x4 places

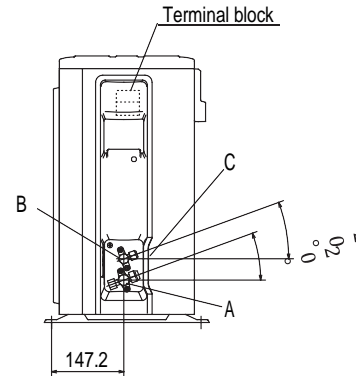
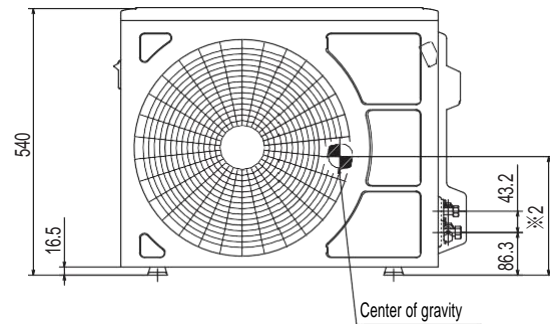


Dimensions	※1	※2	※3
MODEL			
SRC10YYF-W	220	240	140
SRC13YYF-W	240	240	135

- ① The unit must not be surrounded by walls on the four sides.
- ② The unit must be fixed with anchor bolts.
(An anchor bolt must not protrude more than 15mm.)
- ③ If the unit is installed in the location where there is a possibility of strong winds, place the unit such that the direction of air from the outlet gets perpendicular to the wind direction.
- ④ Leave 200mm or more space above the unit.
- ⑤ The wall height on the outlet side should be 1200mm or less.
- ⑥ The model name label is attached on the lower right corner of the front panel.



	Installation space (mm)
L1	280 or more
L2	100 or more
L3	80 or more
L4	250 or more



Unit:mm

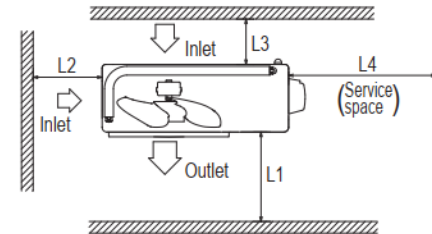
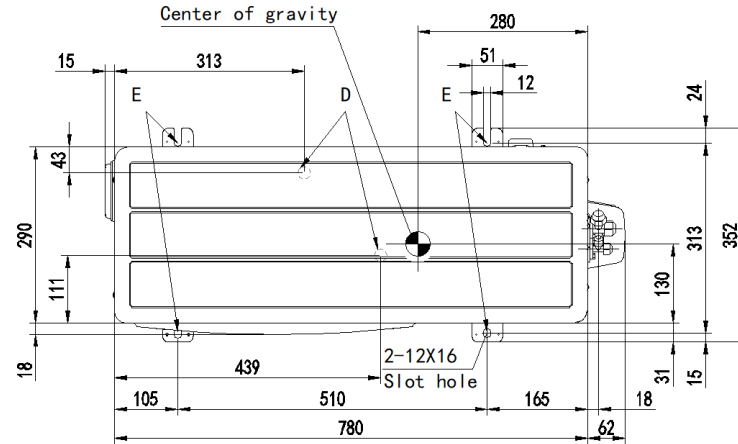
Outdoor units

Models SRC50REC1

Symbol	Content	
A	Service valve connection (gas side)	Φ 12.7 (1/2") (Flare)
B	Service valve connection (liquid side)	φ 6.35 (1/4") (Flare)
C	Pipe/cable draw-out hole	
D	Drain discharge hole	φ 20x2 places
E	Anchor bolt hole	M10-12x4 places

Notes

- (1) The unit must not be surrounded by walls on the four sides.
- (2) The unit must be fixed with anchor bolts. An anchor bolt must not protrude more than 15mm.
- (3) If the unit is installed in the location where there is a possibility of strong winds, place the unit such that the direction of air from the outlet gets perpendicular to the wind direction.
- (4) Leave 200mm or more space above the unit.
- (5) The wall height on the outlet side should be 1200mm or less.
- (6) The model name label is attached on the right side of the unit.



	Installation space
L1	280 or more
L2	100 or more
L3	80 or more
L4	250 or more

