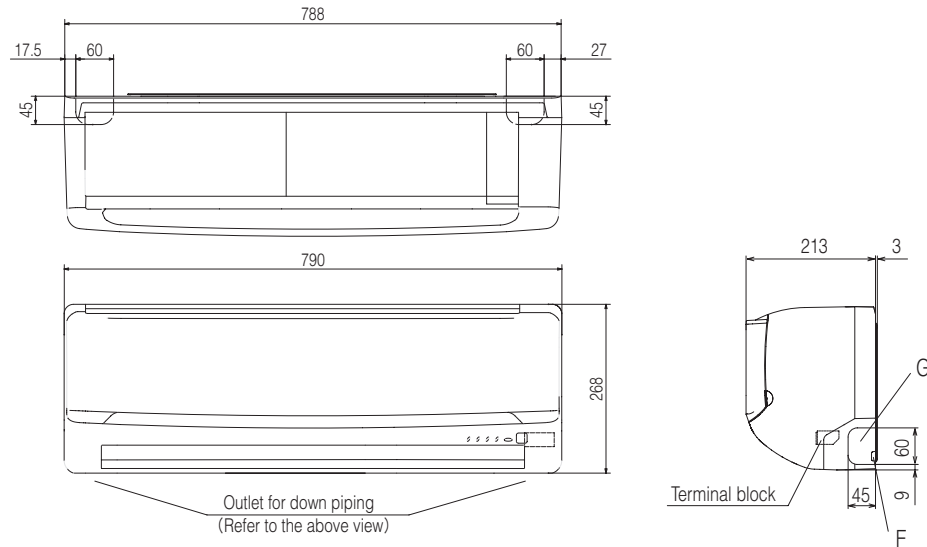


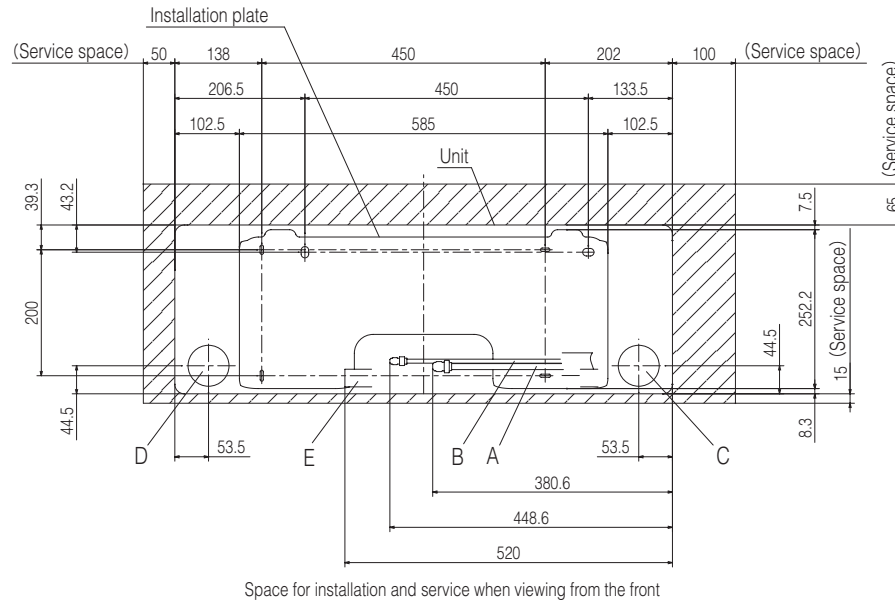
# EXTERIOR DIMENSIONS

## (1) Indoor units

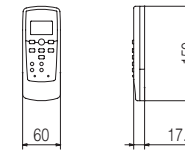
Models SRK10YL-S, 13YL-S, 18YL-S



Symbol	Content	
A	Gas piping	Model 10,13 $\phi 9.52$ (3/8") (Flare)
		Model 18 $\phi 12.7$ (1/2") (Flare)
B	Liquid piping	$\phi 6.35$ (1/4") (Flare)
C	Hole on wall for right rear piping	( $\phi 65$ )
D	Hole on wall for left rear piping	( $\phi 65$ )
E	Drain hose	VP16
F	Outlet for wiring	
G	Outlet for piping (on both side)	



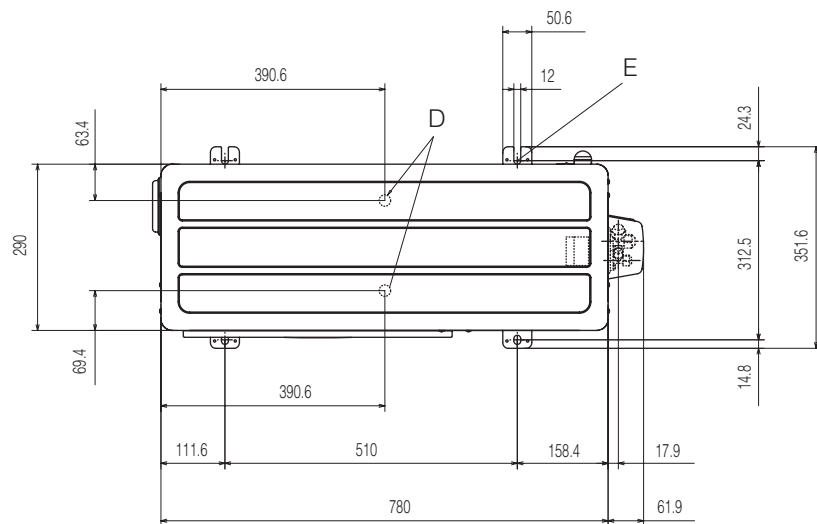
Wireless remote control



Note (1) The model name label is attached on the underside of the panel.

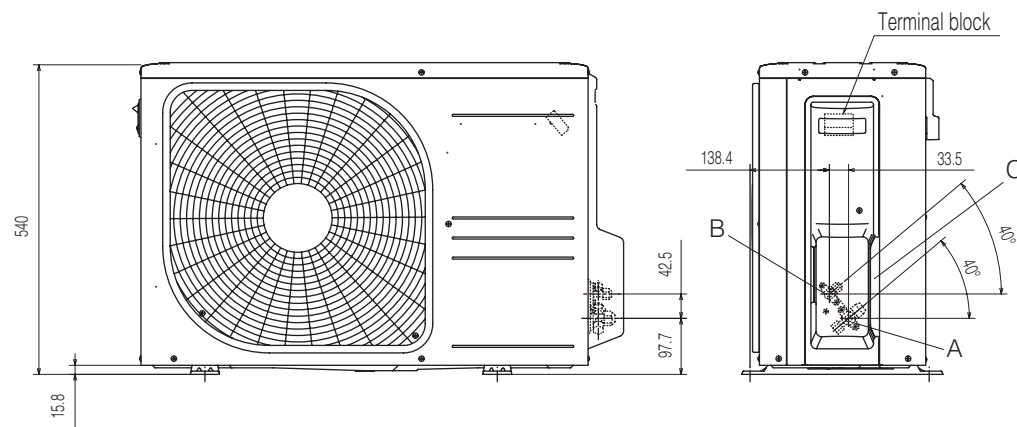
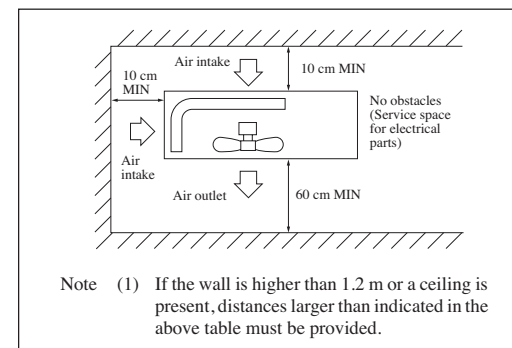
Unit:mm

**(2) Outdoor units**  
**Models SRC10YL-S, 13YL-S**



**Notes**

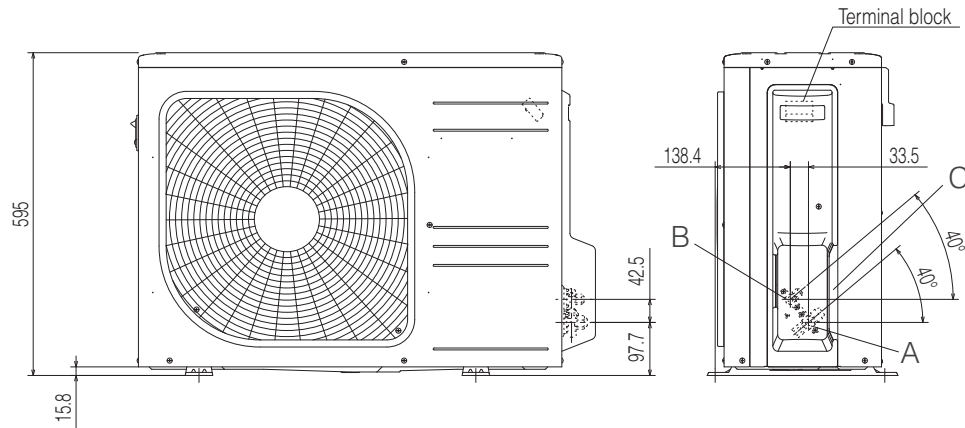
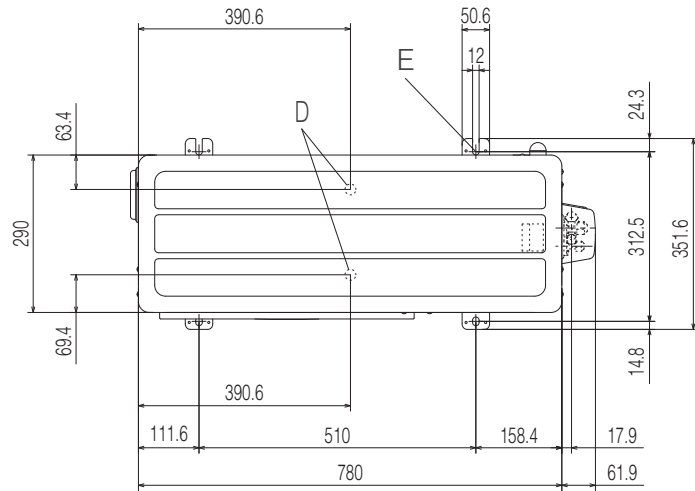
- (1) It must not be surrounded by walls on the four sides.
- (2) The unit must be fixed with anchor bolts. An anchor bolt must not protrude more than 15mm.
- (3) Where the unit is subject to strong winds, lay it in such a direction that the blower outlet faces perpendicularly to the dominant wind direction.
- (4) Leave 1m or more space above the unit.
- (5) A wall in front of the blower outlet must not exceed the unit's height.
- (6) The model name label is attached on the lower right corner of the front panel.



Symbol	Content	
A	Service valve connection (gas side)	φ9.52 (3/8") (Flare)
B	Service valve connection (liquid side)	φ6.35 (1/4") (Flare)
C	Pipe/cable draw-out hole	
D	Drain discharge hole	φ20 x 2 places
E	Anchor bolt hole	M10 x 4 places

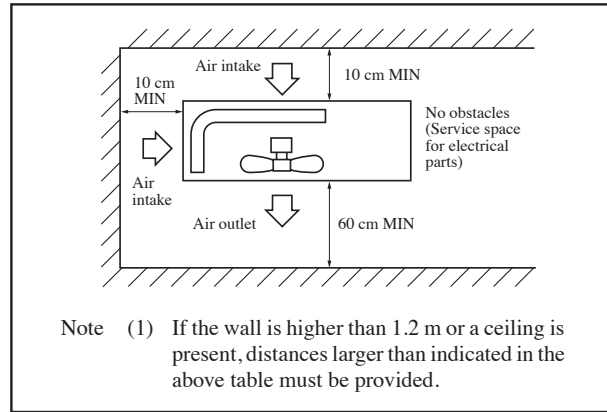
Unit:mm

# Models SRC18YL-S



## Notes

- (1) It must not be surrounded by walls on the four sides.
- (2) The unit must be fixed with anchor bolts. An anchor bolt must not protrude more than 15mm.
- (3) Where the unit is subject to strong winds, lay it in such a direction that the blower outlet faces perpendicularly to the dominant wind direction.
- (4) Leave 1m or more space above the unit.
- (5) A wall in front of the blower outlet must not exceed the units height.
- (6) The model name label is attached on the lower right corner of the front panel.



Symbol	Content	
A	Service valve connection (igas side)	φ12.7 (1/2") (Flare)
B	Service valve connection (iliquid side)	φ6.35 (1/4") (Flare)
C	Pipe/cable draw-out hole	
D	Drain discharge hole	φ20 × 2 places
E	Anchor bolt hole	M10 × 4 places

Unit:mm