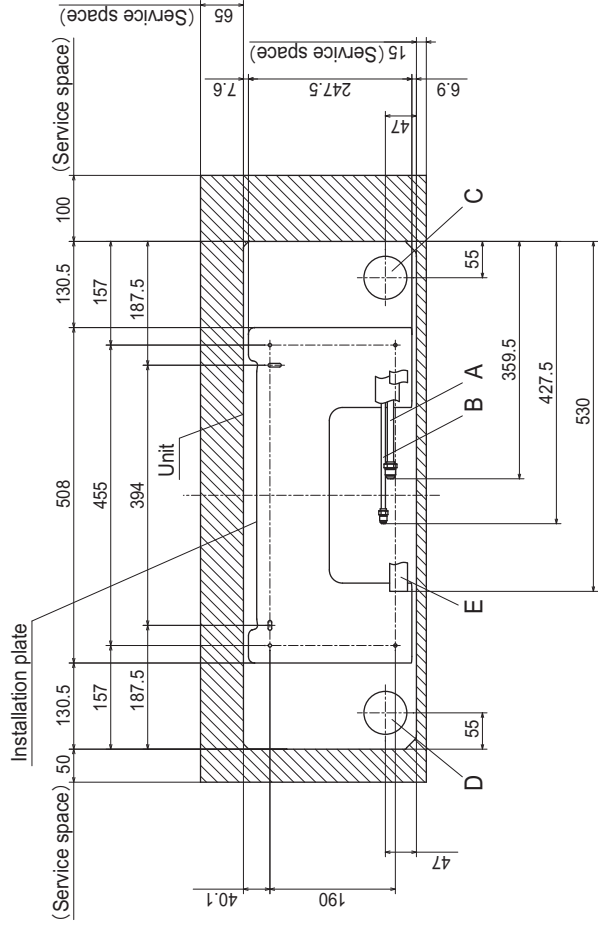
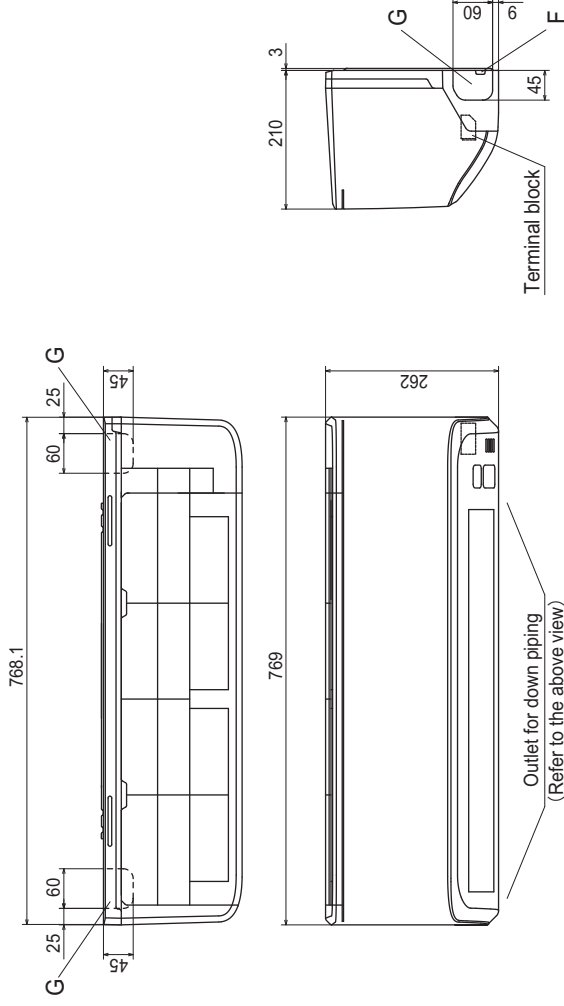


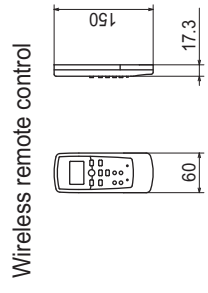
# EXTERIOR DIMENSIONS

(1) Indoor units  
 Models SRK10YN-S7, 13YN-S7, 18YN-S7

Symbol	Content
A	Gas piping Model 10, 13 $\phi$ 9.52 (3/8") (Flare) Model 18 $\phi$ 12.7 (1/2") (Flare)
B	Liquid piping $\phi$ 6.35 (1/4") (Flare)
C	Hole on wall for right rear piping ( $\phi$ 65)
D	Hole on wall for left rear piping ( $\phi$ 65)
E	Drain hose VP16
F	Outlet for wiring (on both side)
G	Outlet for piping (on both side)



Space for installation and service when viewing from the front



Note (1) The model name label is attached on the underside of the indoor unit.

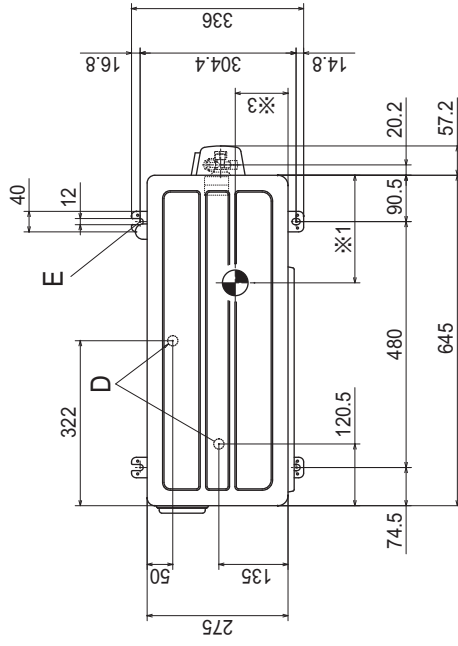
Unit:mm

**(2) Outdoor units**  
**Models SRC10YN-S7, 13YN-S7**

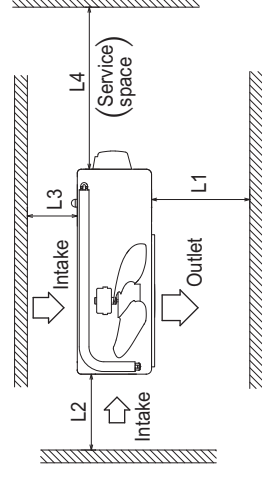
Symbol	Content
A	Service valve connection (gas side) φ 9.52 (3/8") (Flare)
B	Service valve connection (liquid side) φ 6.35 (1/4") (Flare)
C	Pipe/cable draw-out hole
D	Drain discharge hole φ 20 × 2places
E	Anchor bolt hole M10 × 4places

**Notes**

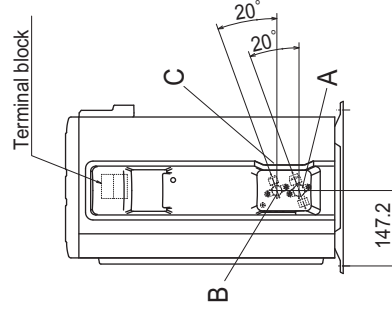
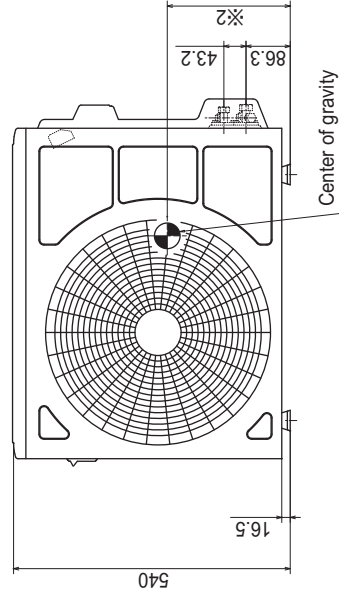
- (1) It must not be surrounded by walls on the four sides.
- (2) The unit must be fixed with anchor bolts. An anchor bolt must not protrude more than 15mm.
- (3) Where the unit is subject to strong winds, lay it in such a direction that the blower outlet faces perpendicularly to the dominant wind direction.
- (4) Leave 1m or more space above the unit.
- (5) A wall in front of the blower outlet must not exceed the units height.
- (6) The model name label is attached on the right side of the unit.



Dimensions	※1	※2	※3
MODEL			
SRC10	210	240	103
SRC13	220	240	108



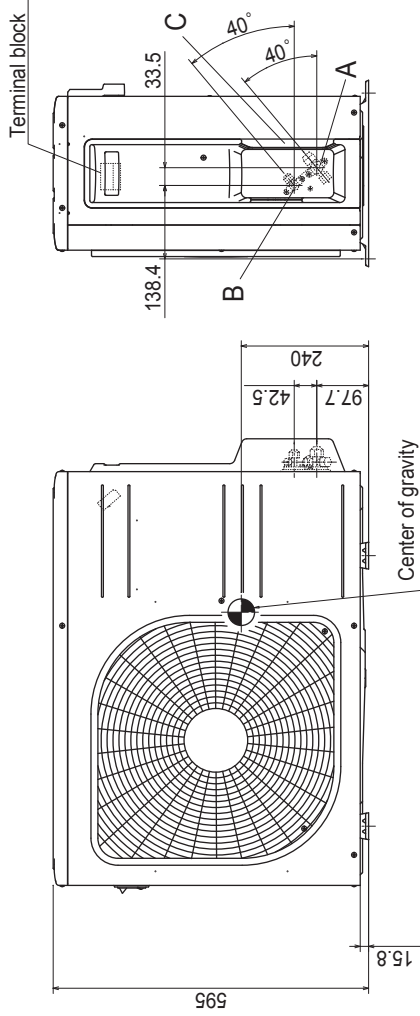
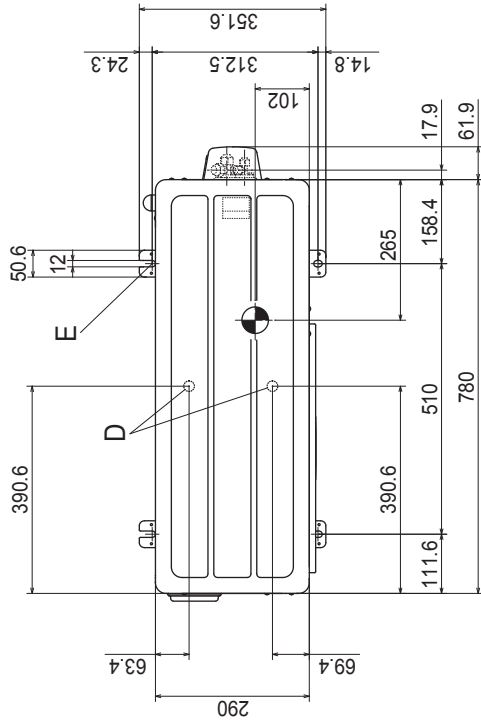
Minimum installation space



Examples of installation	I	II	III	IV
Dimensions				
L1	Open	280	280	180
L2	100	100	Open	Open
L3	100	80	80	80
L4	250	Open	250	Open

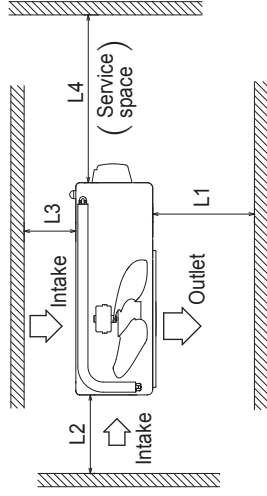
Unit:mm

Symbol	Content
A	Service valve connection (gas side) $\phi 12.7 (1/2")$ (Flare)
B	Service valve connection (liquid side) $\phi 6.35 (1/4")$ (Flare)
C	Pipe/cable draw-out hole
D	Drain discharge hole
E	Anchor bolt hole



Notes

- (1) It must not be surrounded by walls on the four sides.
- (2) The unit must be fixed with anchor bolts. An anchor bolt must not protrude more than 15mm.
- (3) Where the unit is subject to strong winds, lay it in such a direction that the blower outlet faces perpendicularly to the dominant wind direction.
- (4) Leave 1m or more space above the unit.
- (5) A wall in front of the blower outlet must not exceed the units height.
- (6) The model name label is attached on the lower right corner of the front panel.



Minimum installation space

Examples of installation Dimensions	I	II	III	IV
L1	Open	280	280	180
L2	100	100	Open	Open
L3	100	80	80	80
L4	250	Open	250	Open

Unit:mm