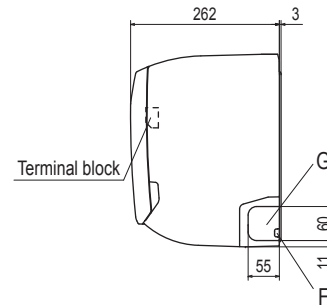
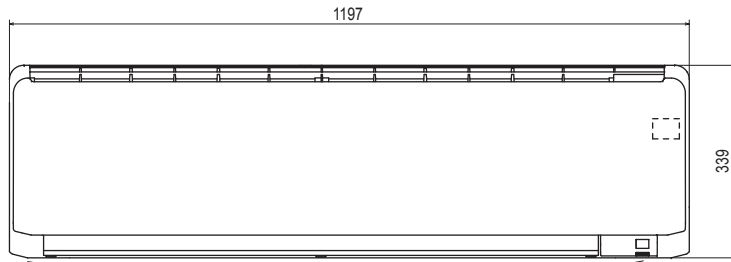
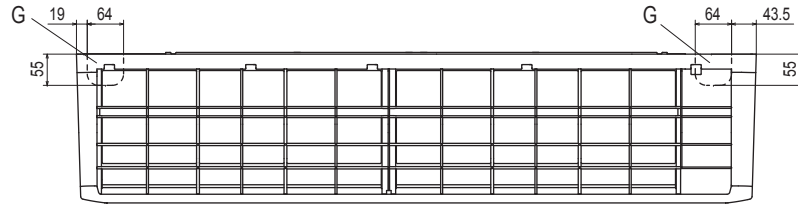


EXTERIOR DIMENSIONS

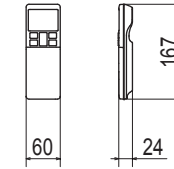
(1) Indoor units

Models SRK63ZRH-S, 71ZRH-S

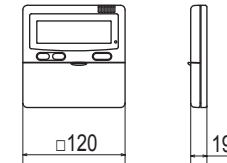


Symbol	Content
A	Gas piping SRK63 $\phi 12.7 (1/2")$ (Flare) SRK71.80 $\phi 15.88 (5/8")$ (Flare)
B	Liquid piping $\phi 6.35 (1/4")$ (Flare)
C	Hole on wall for right rear piping ($\phi 65$)
D	Hole on wall for left rear piping ($\phi 65$)
E	Drain hose VP16
F	Outlet for wiring (on both side)
G	Outlet for piping (on both side)

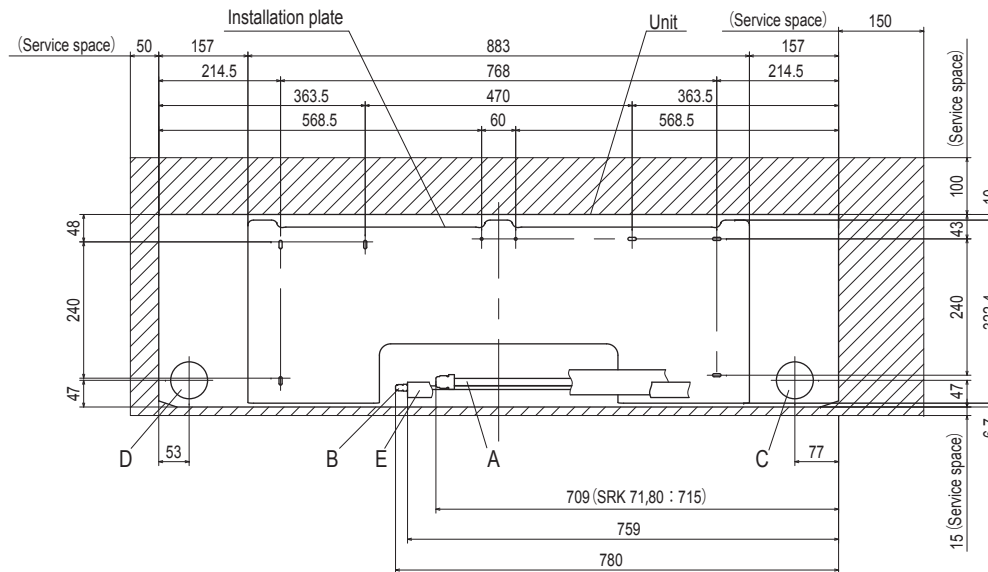
Wireless remote control



Wired remote control (Option)



Note (1) The model name label is attached on the underside of the indoor unit.

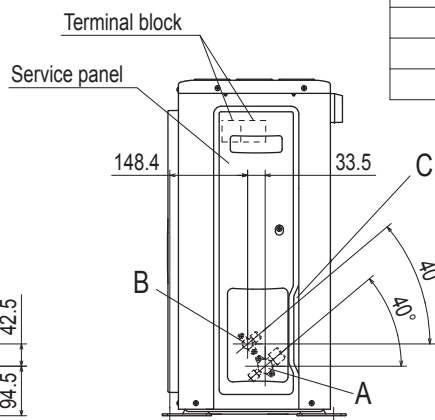
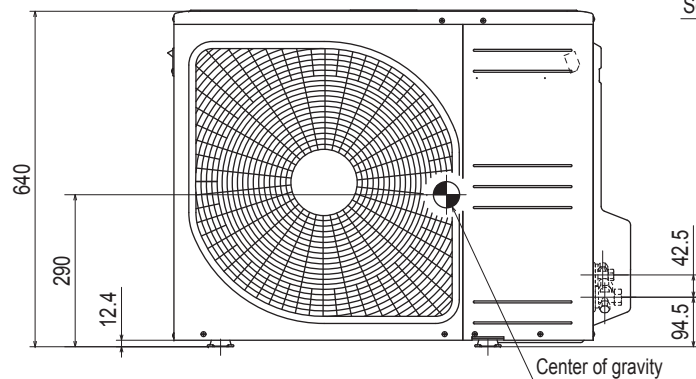
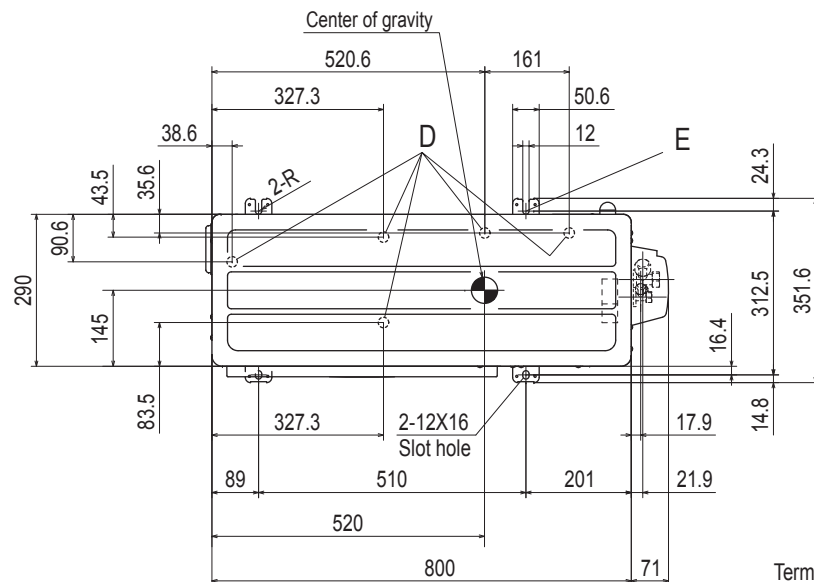


Space for installation and service when viewing from the front

Unit:mm

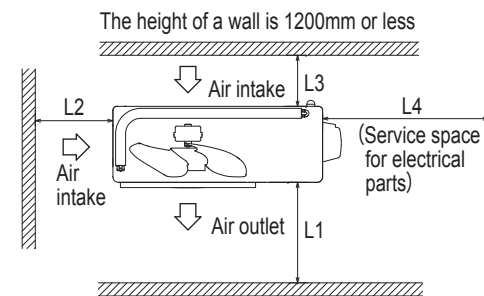
(2) Outdoor units
Model SRC63ZRH-S

Symbol	Content	
A	Service valve connection (gas side)	φ 12.7 (1/2") (Flare)
B	Service valve connection (liquid side)	φ 6.35 (1/4") (Flare)
C	Pipe / cable draw-out hole	
D	Drain discharge hole	φ 20×5 places
E	Anchor bolt hole	M10×4 places



Notes

- (1) It must not be surrounded by walls on four sides.
- (2) The unit must be fixed with anchor bolts. An anchor bolt must not protrude more than 15mm.
- (3) Where the unit is subjected to strong winds, lay it in such a direction that the blower outlet face is perpendicular to the dominant wind direction.
- (4) Leave 1m or more space above the unit.
- (5) A wall in front of the blower outlet must not exceed the unit's height.
- (6) The model name label is attached on the service panel.

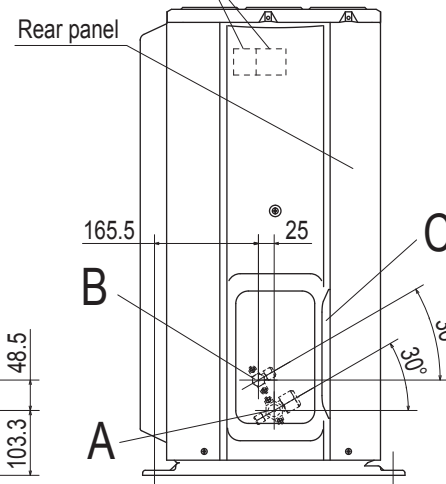
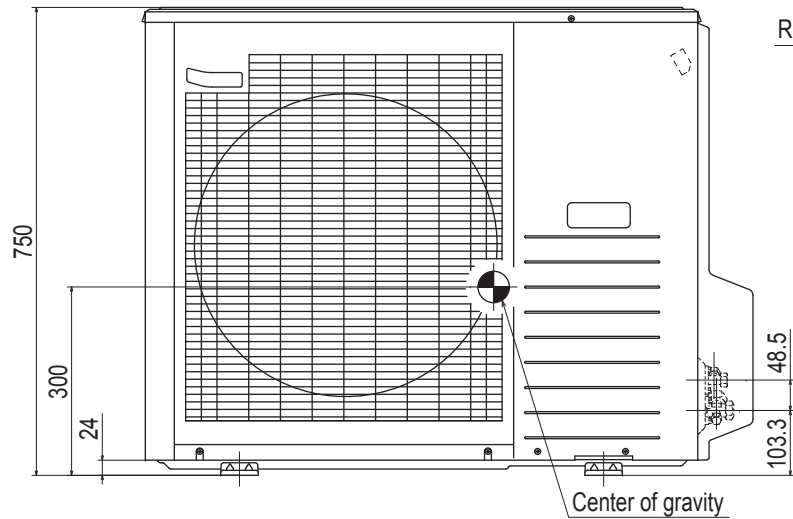
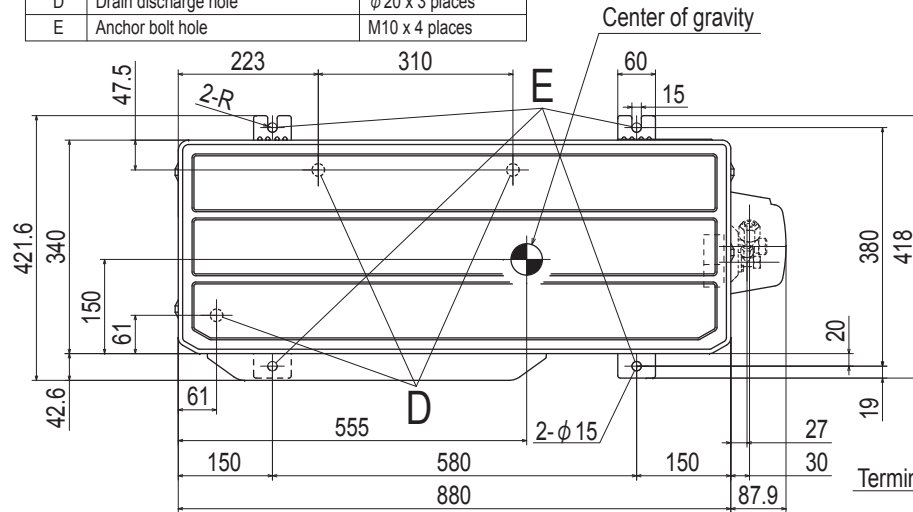


Minimum installation space

Examples of installation Dimensions	I				II		III		VI	
	Open	280	280	180	Open	Open	Open	Open	Open	Open
L1	Open	280	280	180						
L2	100	75	Open	Open						
L3	100	80	80	80						
L4	250	Open	250	Open						

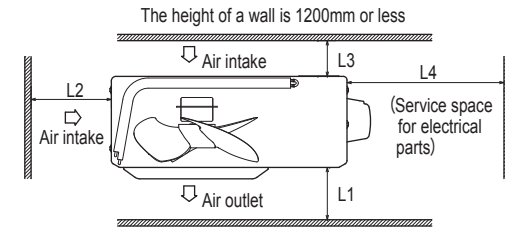
Unit:mm

Symbol	Content	
A	Service valve connection (gas side)	φ 15.88 (5/8") (Flare)
B	Service valve connection (liquid side)	φ 6.35 (1/4") (Flare)
C	Pipe/cable draw-out hole	
D	Drain discharge hole	φ 20 x 3 places
E	Anchor bolt hole	M10 x 4 places



Notes

- (1) It must not be surrounded by walls on four sides.
- (2) The unit must be fixed with anchor bolts. An anchor bolt must not protrude more than 15mm.
- (3) Where the unit is subjected to strong winds, lay it in such a direction that the blower outlet face is perpendicular to the dominant wind direction.
- (4) Leave 1m or more space above the unit.
- (5) A wall in front of the blower outlet must not exceed the unit's height.
- (6) The model name label is attached on the rear panel.



Minimum installation space

Dimensions	Examples of installation		
	I	II	III
L1	Open	Open	500
L2	300	250	Open
L3	100	150	100
L4	250	250	250

Unit:mm