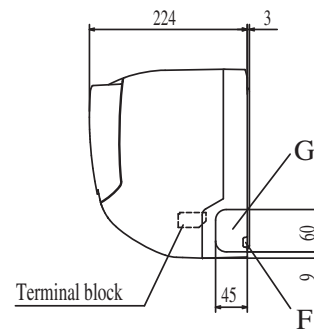
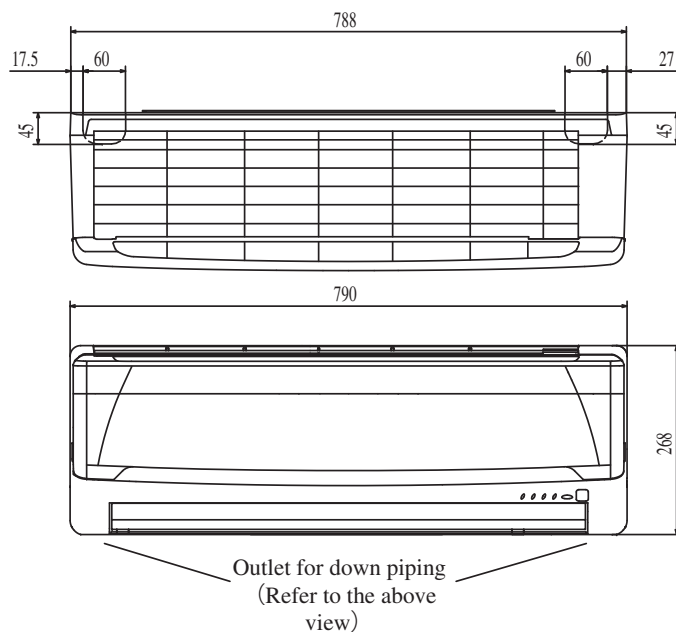
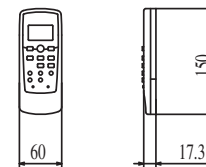


# EXTERIOR DIMENSIONS

## (1) Indoor unit - SRK10CRS-S3 / SRK13CRS-S3

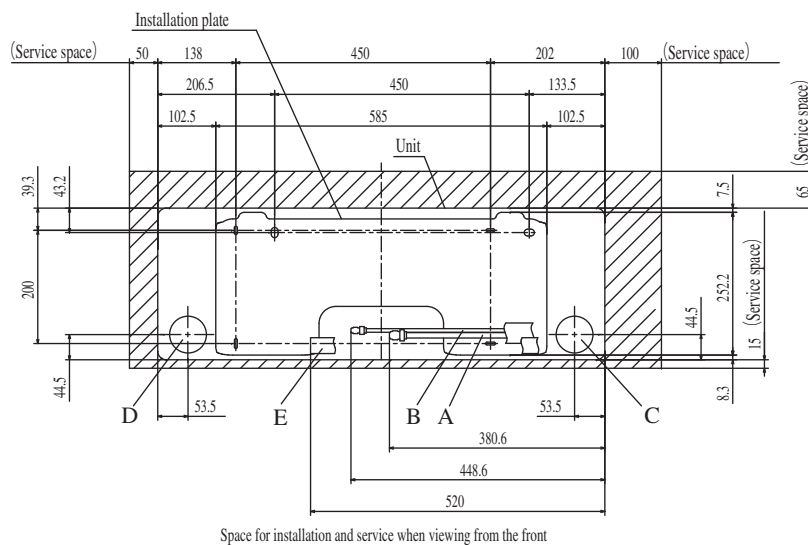


Wireless remote control



Note (1) The model name label is attached on the underside of the panel.

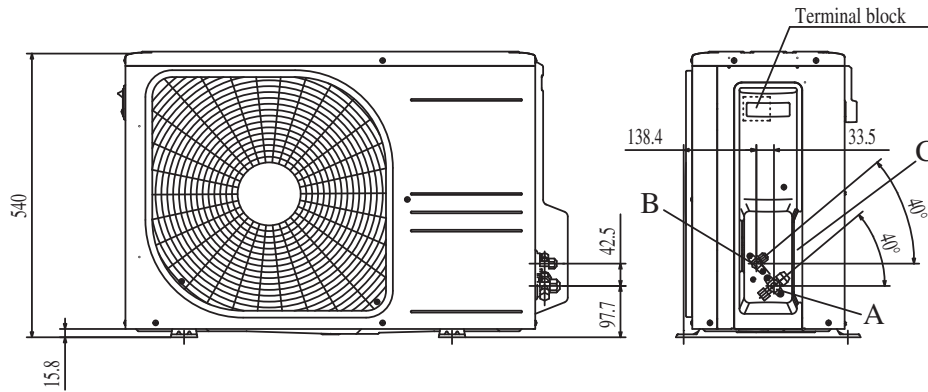
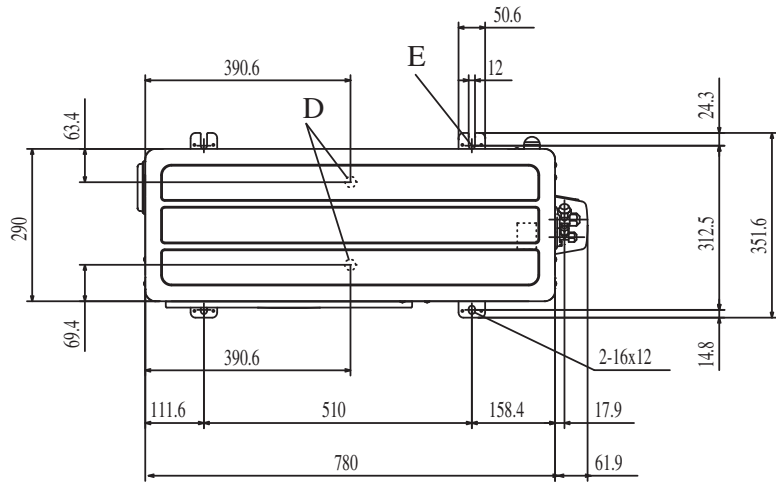
Unit:mm



Symbol	Content	
A	Gas piping	Model 10 $\phi$ 952 (3/8") (Flare)
		Model 13 $\phi$ 12.7 (1/2") (Flare)
B	Liquid piping	$\phi$ 635 (1/4") (Flare)
C	Hole on wall for right rear piping	( $\phi$ 6.5)
D	Hole on wall for left rear piping	( $\phi$ 6.5)
E	Drain hose	VP16
F	Outlet for wiring	
G	Outlet for piping (on both side)	

## (2) Outdoor Unit - SRC10CRS-S3

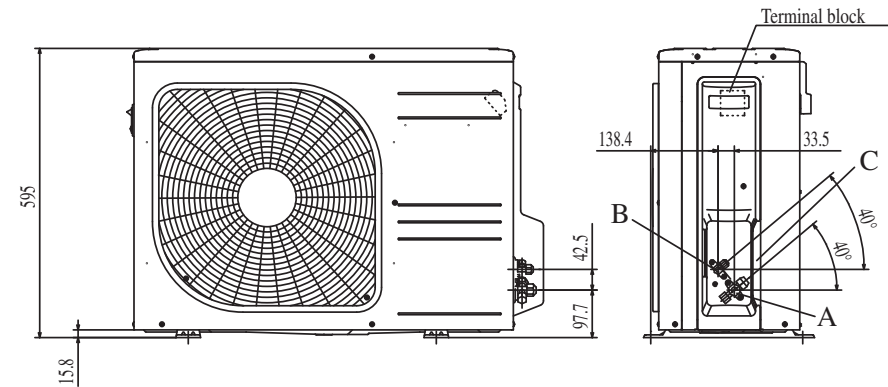
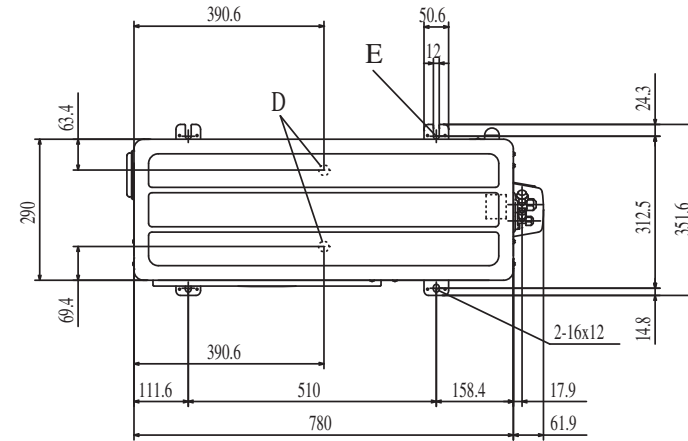
Unit:mm



Symbol	Content	
A	Service valve connection (gas side)	$\phi$ 952 (3/8") (Flare)
B	Service valve connection (liquid side)	$\phi$ 635 (1/4") (Flare)
C	Pipe/cable draw-out hole	
D	Drain discharge hole	$\phi$ 20x2places
E	Anchor bolt hole	M10x4places

## (2) Outdoor Unit - SRC13CRS-S3

Unit:mm



Symbol	Content	
A	Service valve connection (gas side)	$\phi$ 12.7 (1/2") (Flare)
B	Service valve connection (liquid side)	$\phi$ 6.35 (1/4") (Flare)
C	Pipe/cable draw-out hole	
D	Drain discharge hole	$\phi$ 20x2places
E	Anchor bolt hole	M10x4places