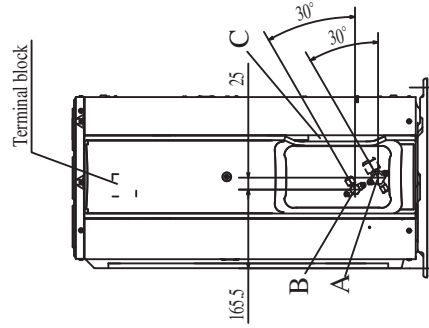
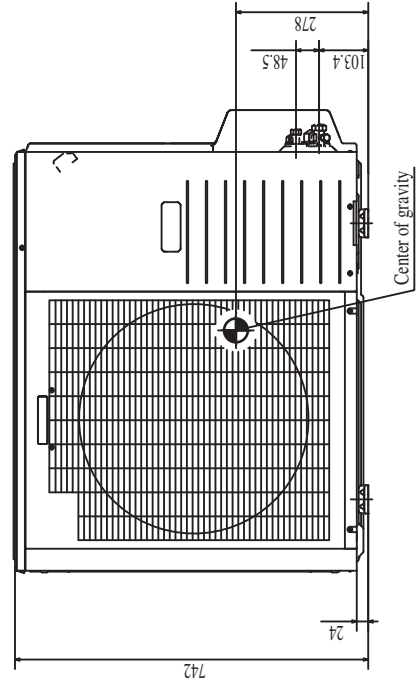
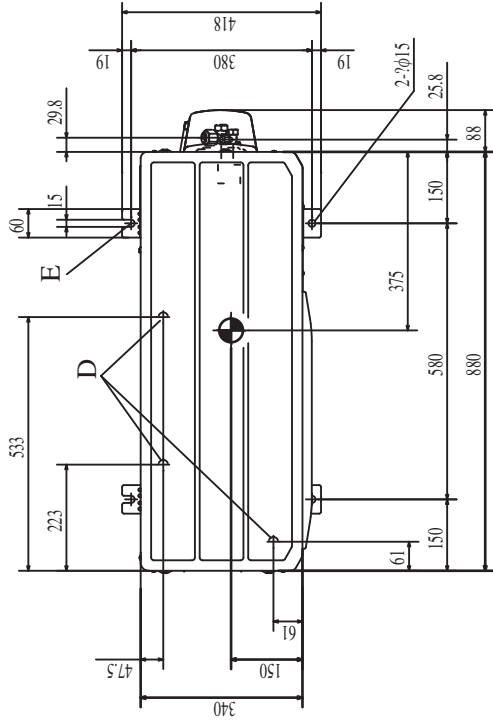


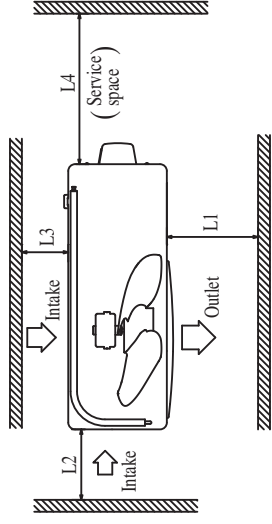
Model SRC25CSS-S3

Symbol	Content
A	Service valve connection (gas side) φ15.88(5/8") (Flare)
B	Service valve connection (liquid side) φ6.35(1/4") (Flare)
C	Pipe/cable draw-out hole
D	Drain discharge hole φ20x3places
E	Anchor bolt hole M10x4places



Notes

- (1) It must not be surrounded by walls on the four sides.
- (2) The unit must be fixed with anchor bolts. An anchor bolt must not protrude more than 15mm.
- (3) Where the unit is subject to strong winds, lay it in such a direction that the blower outlet faces perpendicularly to the dominant wind direction.
- (4) Leave 1m or more space above the unit.
- (5) A wall in front of the blower outlet must not exceed the units height.
- (6) The model name label is attached on the right side of the unit.



Minimum installation space

Examples of installation Dimensions	Dimensions
L1	600
L2	100
L3	100
L4	Open

Unit:mm